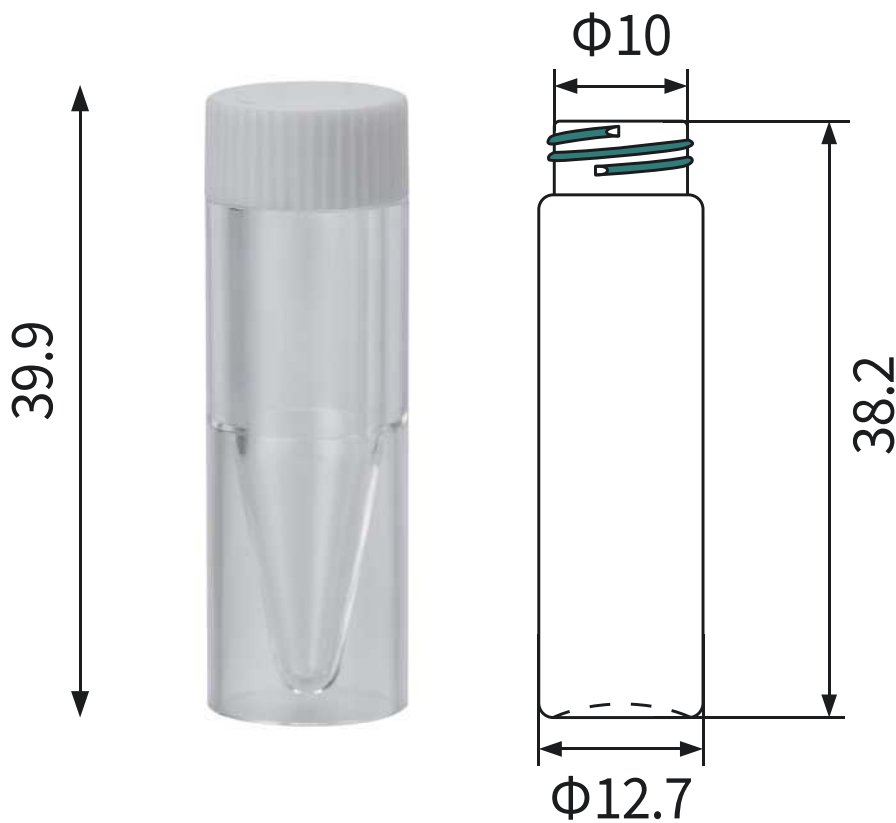


Packaging Bottles

Micro Packaging Vials



*Units of measurement: millimeter(mm)



Material	Food grade GPPS
Capacity	1.5ml
Cap Type	Screw cap
Application Scope	Bacterial vaginosis test.