

Packaging Bottles

# Tamperproof Cap LDPE Dropper Bottle



Black

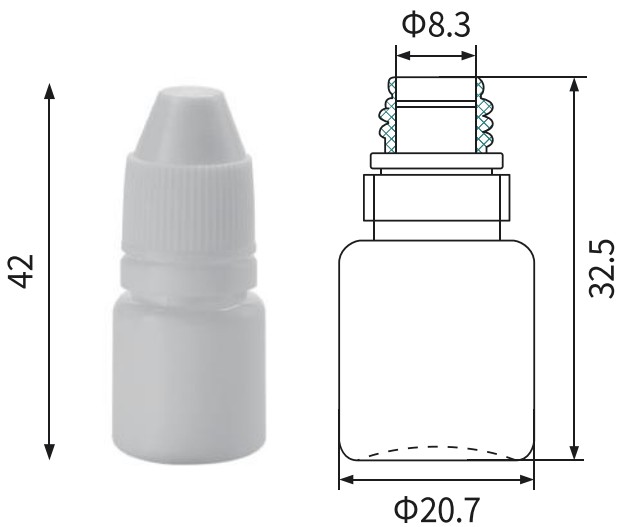


Translucent

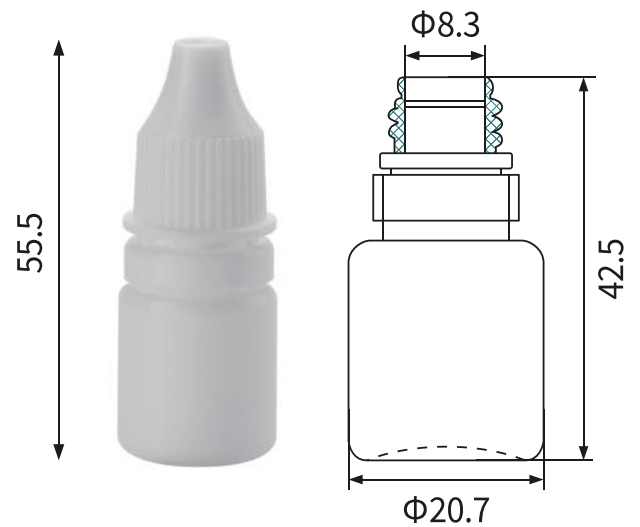


White

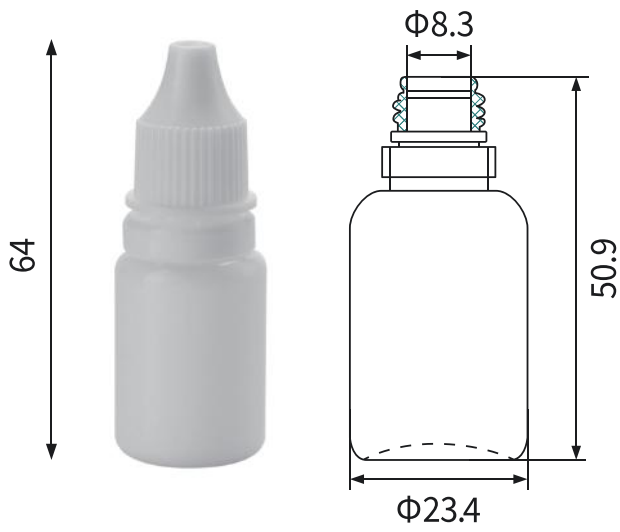
\*Units of measurement: millimeter(mm)



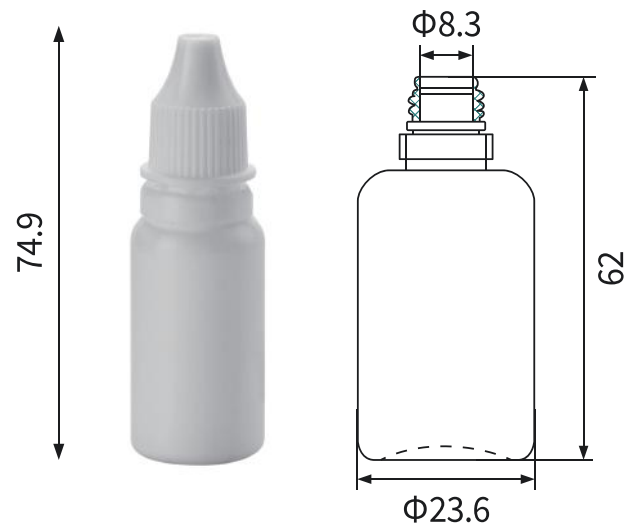
2ml/0.06oz



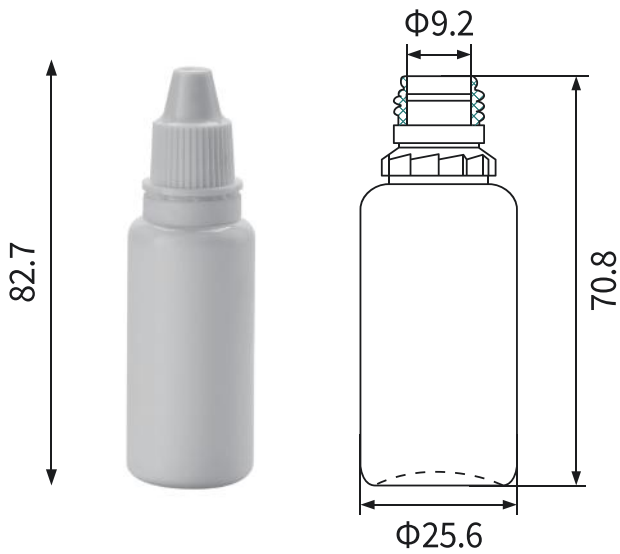
5ml/0.16oz



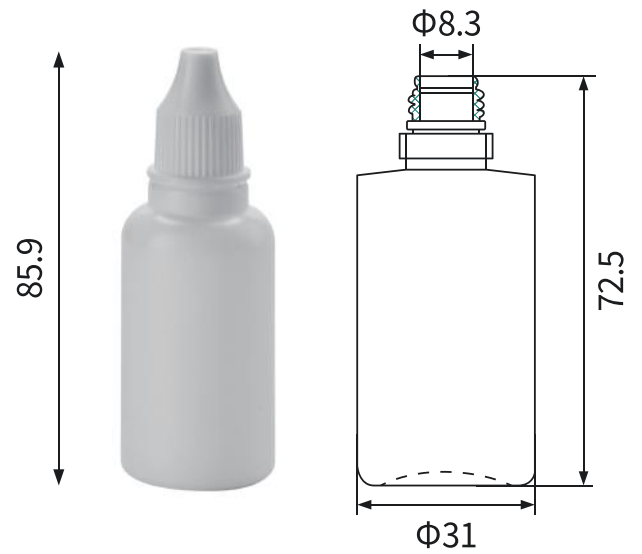
10ml/0.33oz



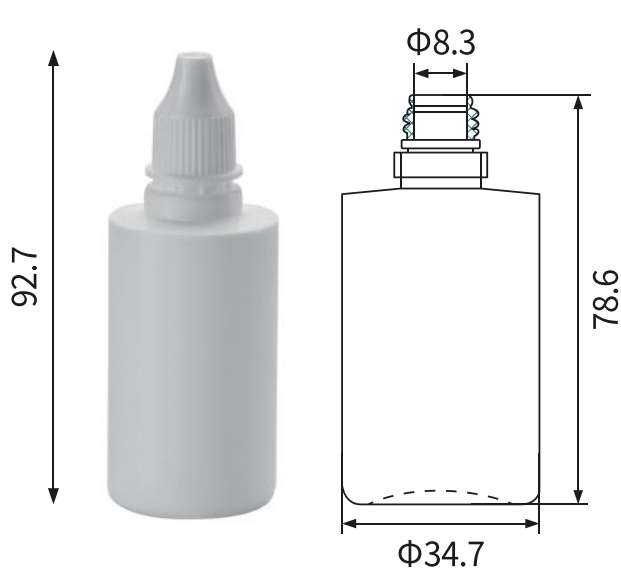
15ml/0.5oz



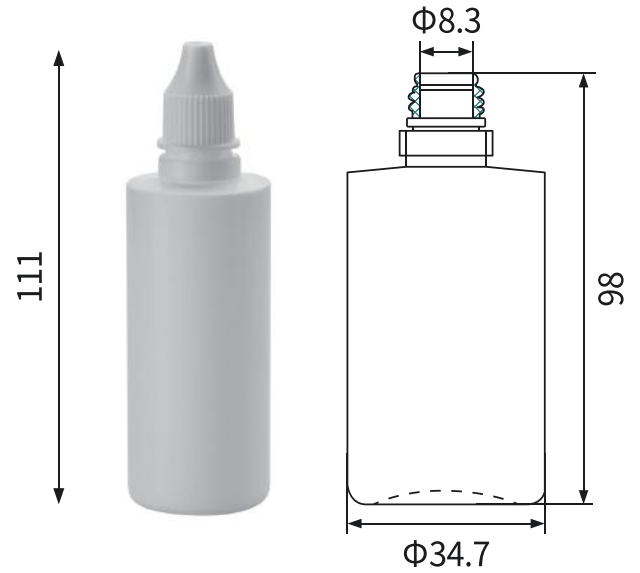
20ml/0.67oz



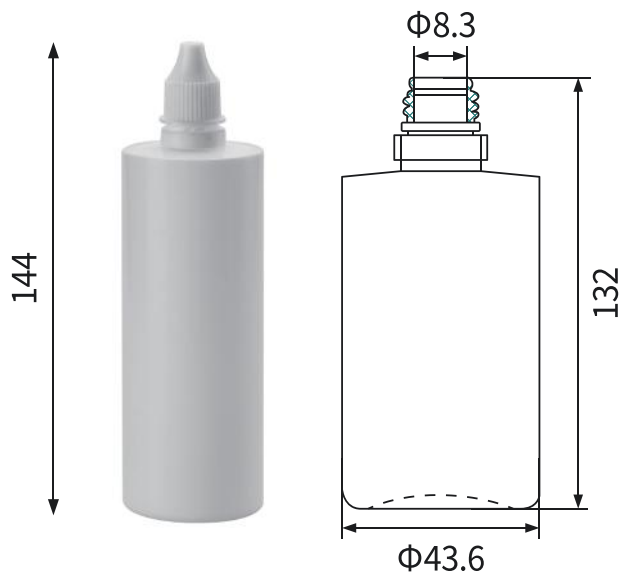
30ml/1.0oz



50ml/1.6oz



60ml/2.0oz



120ml/4.0oz

Material	Food grade LDPE
Color	Black/Translucent/White
Capacity	2ml/5ml/10ml/15ml/20ml/30ml/50ml/60ml/120ml
Application Scope	Liquid medicine, Weak acid liquid, alkalescent liquid. Great for solvents, light oils, paint, essence, saline, etc.